

Technical data sheet



Product features

Fry-top griddle plate 40x51 gas chromed smooth without cabinet

Model	SAP Code	00012408
--------------	-----------------	----------



- Top type: Smooth
- Griddle dimensions [mm x mm]: 396 x 510
- Griddle thickness [mm]: 12.00
- Worktop material: Chrome plated steel
- Container for liquid fat: Yes
- Maximum device temperature [°C]: 300
- Surface finish: polished chrome 0.03 mm
- Removable rim: Yes
- Ignition: Piezo + večný plamen

SAP Code	00012408	Power gas [kW]	7.000
Net Width [mm]	400	Type of gas	Natural gas, propane butane
Net Depth [mm]	700	Griddle dimensions [mm x mm]	396 x 510
Net Height [mm]	330	Top type	Smooth
Net Weight [kg]	38.00	Worktop type	Molded - comfortable cleaning maintenance

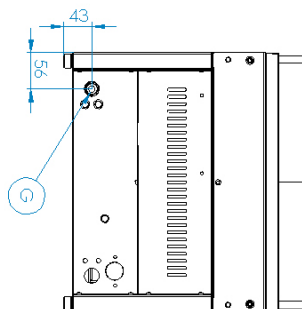
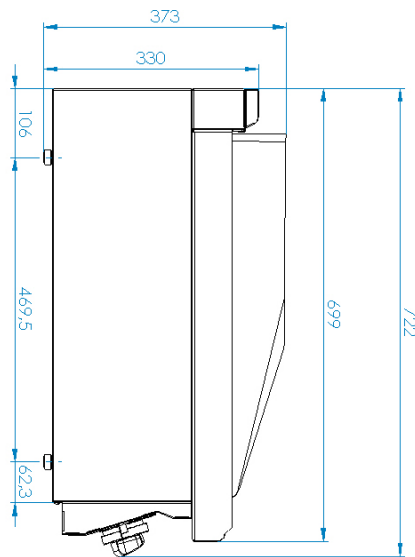
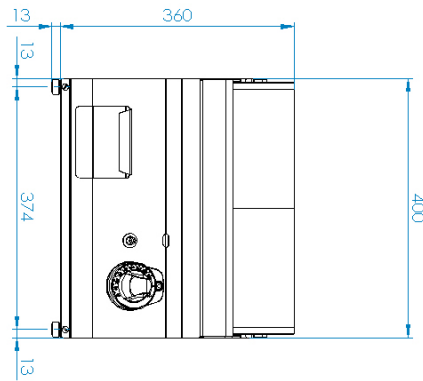
Technical data sheet



Technical drawing

Fry-top griddle plate 40x51 gas chromed smooth without cabinet

Model	SAP Code	00012408
--------------	-----------------	----------



Fry-top griddle plate 40x51 gas chromed smooth without cabinet

Model

SAP Code

00012408

1

Safety element – thermocouple

safe service for staff
there is no unnecessary gas leakage
long life

- savings on service interventions
- easier and faster operation

2

All-stainless design

long life
corrosion resistance of the top plate material

- savings on service interventions
- higher corrosion resistance

3

Degree of protection of the control elements IPX4

maintenance-free system
resistance to splash water
long life

- savings on service interventions
- easy cleaning and maintenance of equipment

4

Outlet for waste liquids

ensures that oil drips into the socket

- easy maintenance
- easy cleaning

5

High detachable hem

better hygienic conditions
preventing grease from splashing onto ancillary equipment

- easy maintenance
- easy cleaning

6

Smooth plate made of chrome-plated steel

the product bakes less and is easier to clean
a good warming of the meat with a groove

- time-saving for food preparation
- no reheating and long cooking times

7

Cooking unit for use on a table or on a base

variable use
the possibility of placement in smaller spaces

- easy handling
- cost savings on substructure

Technical data sheet



Technical parameters

Fry-top griddle plate 40x51 gas chromed smooth without cabinet

Model	SAP Code	00012408
--------------	-----------------	----------

1. SAP Code:

00012408

2. Net Width [mm]:

400

3. Net Depth [mm]:

700

4. Net Height [mm]:

330

5. Net Weight [kg]:

38.00

6. Gross Width [mm]:

440

7. Gross depth [mm]:

800

8. Gross Height [mm]:

390

9. Gross Weight [kg]:

44.00

10. Device type:

Gas unit

11. Construction type of device:

Table top

12. Power gas [kW]:

7.000

13. Ignition:

Piezo + večný plamen

14. Type of gas:

Natural gas, propane butane

15. Protection of controls:

IPX4

16. Material:

AISI 304 top plate, AISI 430 cladding

17. Worktop type:

Molded - comfortable cleaning maintenance

18. Worktop material:

Chrome plated steel

19. Worktop Thickness [mm]:

1.20

20. Surface finish:

polished chrome 0.03 mm

21. Maximum device temperature [°C]:

300

22. Minimum device temperature [°C]:

50

23. Service accessibility:

Trough the frontal panel

24. Safety thermocouple:

Yes

25. Safety thermostat:

Yes

26. Adjustable feet:

Yes

27. Griddle dimensions [mm x mm]:

396 x 510

28. Griddle thickness [mm]:

12.00

Technical data sheet



Technical parameters

Fry-top griddle plate 40x51 gas chromed smooth without cabinet

Model

SAP Code

00012408

29. Container for liquid fat:

Yes

31. Top type:

Smooth

30. Removable rim:

Yes

32. Connection to a ball valve:

1/2